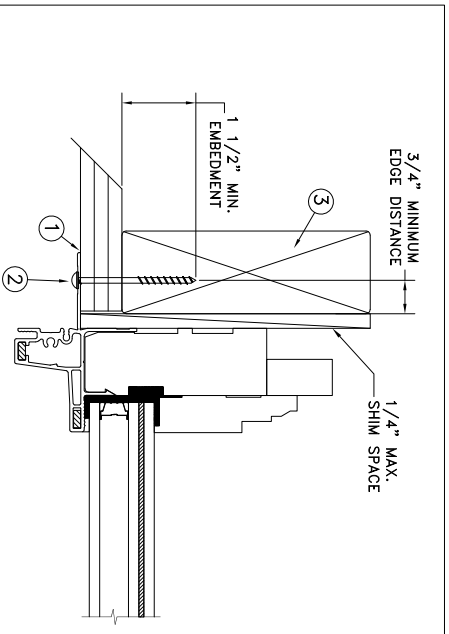
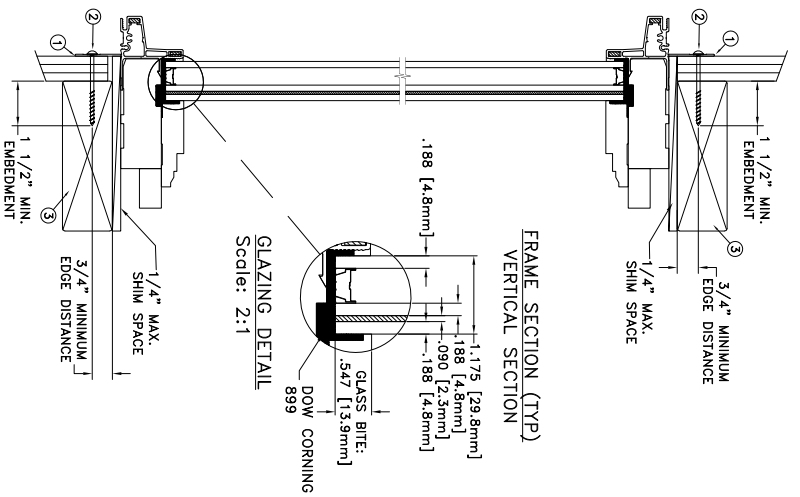


TYPICAL ELEVATION WITH FASTENER SPACING



NAILFIN INSTALLATION

MAXIMUM FRAME	DP	IMPACT
60 x 72	+60/-65	YES

WINDZONE 3

Installation Notes:

1. Seal flange/frame to substrate. Sill shall be set on a continuous serpentine bead of structural grade silicone caulk when no fastener is used to anchor the sill (typical).
2. Use #8 PH or greater fastener through the nailing flange with sufficient length to penetrate a minimum of 1 1/2" into the wood framing. For 2x wood frame substrate (min. S.G. = 0.42)
3. Host structure (wood buck, masonry, steel) to be designed and anchored to properly transfer all loads to the structure. The host structure is the responsibility of the architect or engineer of record for the project of installation.

General Notes:

1. The product shown herein is designed, tested and manufactured to comply with the wind load criteria of the adopted International Building Code (IBC), the International Residential Code (IRC), the Florida Building Code (FBC) and the industry requirement for the stated conditions.
2. All glazing shall conform to ASTM E1300.
3. At minimum, glazing is 4.8mm annealed - 13.3mm airspace - 4.8mm annealed - 2.3mm PVB interlayer by Kuraray - 4.8mm annealed insulating glass.
4. Use structural or composite shims where required.

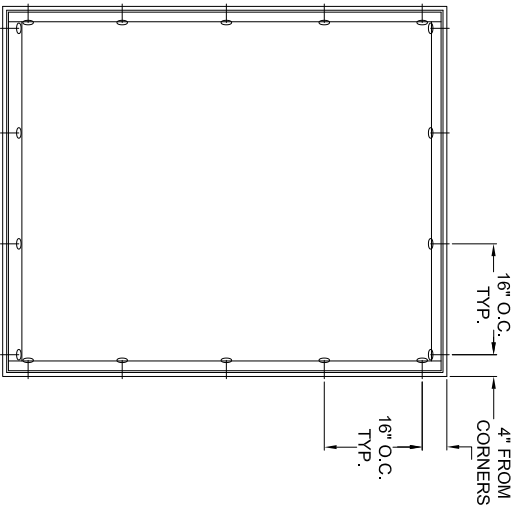
This schedule addresses only the fasteners required to anchor the unit to achieve the rated design pressure and impact performance (where applicable) up to the size limitations noted. It is not intended as a guide to the installation process and does not address the sealing consideration that may arise in different wall conditions. For the complete installation procedure, see the instructions packaged with the unit or go to www.jeld-wen.com.

DISCLAIMER:

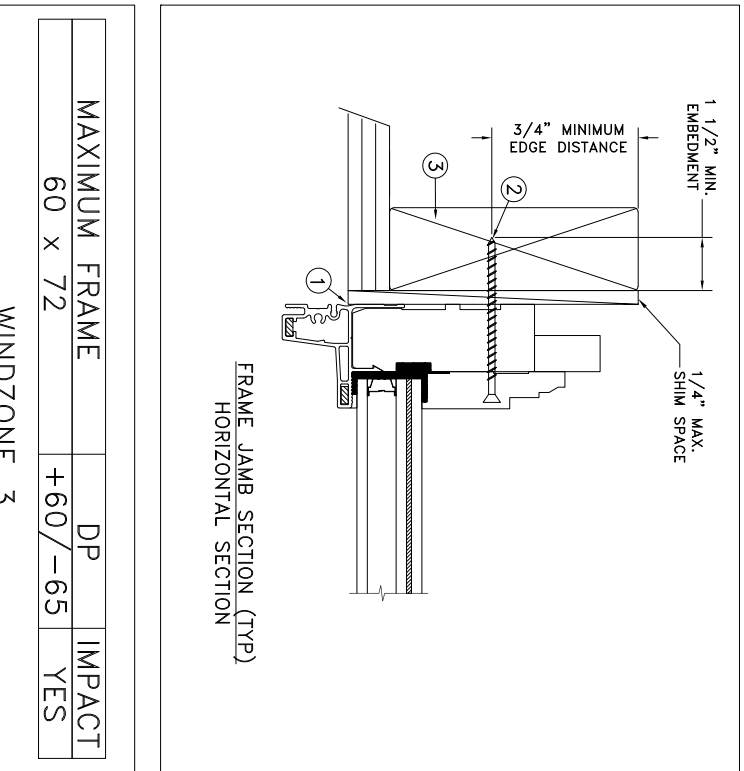
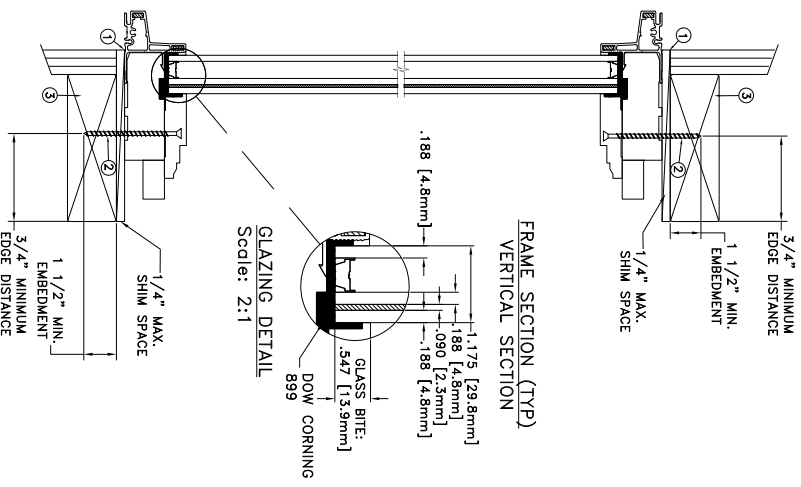
This drawing and its contents are confidential and are not to be reproduced or copied in whole or in part or used or disclosed to others except as authorized by JELD-WEN Inc.

"AS TESTED"

DATE: 05/07/2019	DRAWN BY: J.HAWKINS	CHECKED BY: K.CAMPBELL	APPROVED BY: D.STOKES	RECORD NO: D015293	REPORT NO: J4360.01-301-47 R1	CAD DWG. No.: CUSICLDSel Cert	REV: A	SHEET: 1 of 3
SCALE: NTS	TITLE: Custom Clad Direct Set Window - Impact	<p>3737 LAKEPORT BLVD. KLAMATH FALLS OR, 97601 PHONE: (800) 535-3936</p>						



TYPICAL ELEVATION WITH FASTENER SPACING



MAXIMUM FRAME	DP	IMPACT
60 x 72	+60 / -65	YES

WINDZONE 3

- Installation Notes:**
1. Seal flange/frame to substrate. Sill shall be set on a continuous serpentine bead of structural grade silicone caulk when no fastener is used to anchor the sill (typical).
 2. Use #8 PH or greater fastener through the head, sill & side jambs with sufficient length to penetrate a minimum of 1 1/2" into the wood framing. For 2x wood frame substrate (min. S.G. = 0.42)
 3. Host structure (wood buck, masonry, steel) to be designed and anchored to properly transfer all loads to the structure. The host structure is the responsibility of the architect or engineer of record for the project of installation.

- General Notes:**
1. The product shown herein is designed, tested and manufactured to comply with the wind load criteria of the adopted International Building Code (IBC), the International Residential Code (IRC), the Florida Building Code (FBC) and the industry requirement for the stated conditions.
 2. All glazing shall conform to ASTM E1300.
 3. At minimum, glazing is 4.8mm annealed - 13.3mm airspace - 4.8mm annealed - 2.3mm PVB interlayer by Kuraray - 4.8mm annealed insulating glass.
 4. Use structural or composite shims where required.

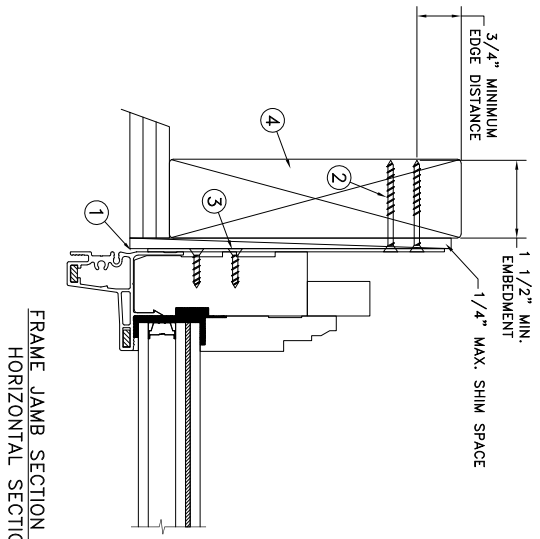
This schedule addresses only the fasteners required to anchor the unit to achieve the rated design pressure and impact performance (where applicable) up to the size limitations noted. It is not intended as a guide to the installation process and does not address the sealing consideration that may arise in different wall conditions. For the complete installation procedure, see the instructions packaged with the unit or go to www.jeld-wen.com.

DISCLAIMER:
This drawing and its contents are confidential and are not to be reproduced or copied in whole or in part or used or disclosed to others except as authorized by JELD-WEN Inc.

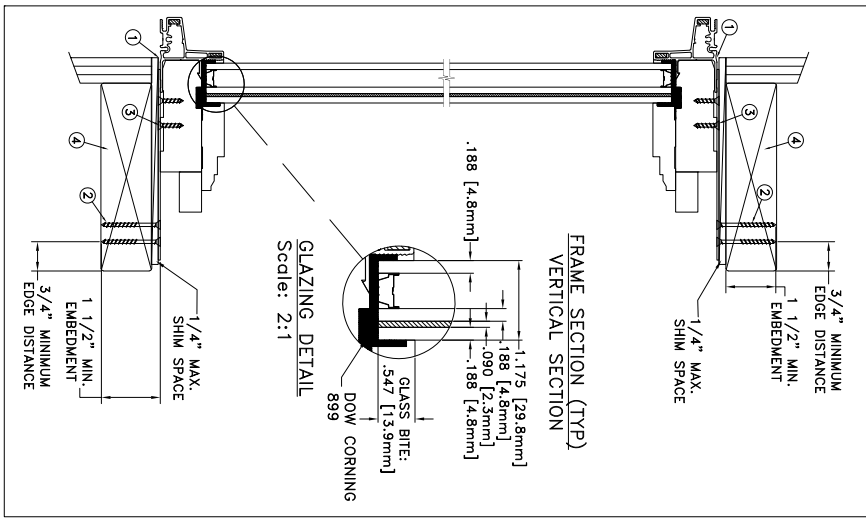
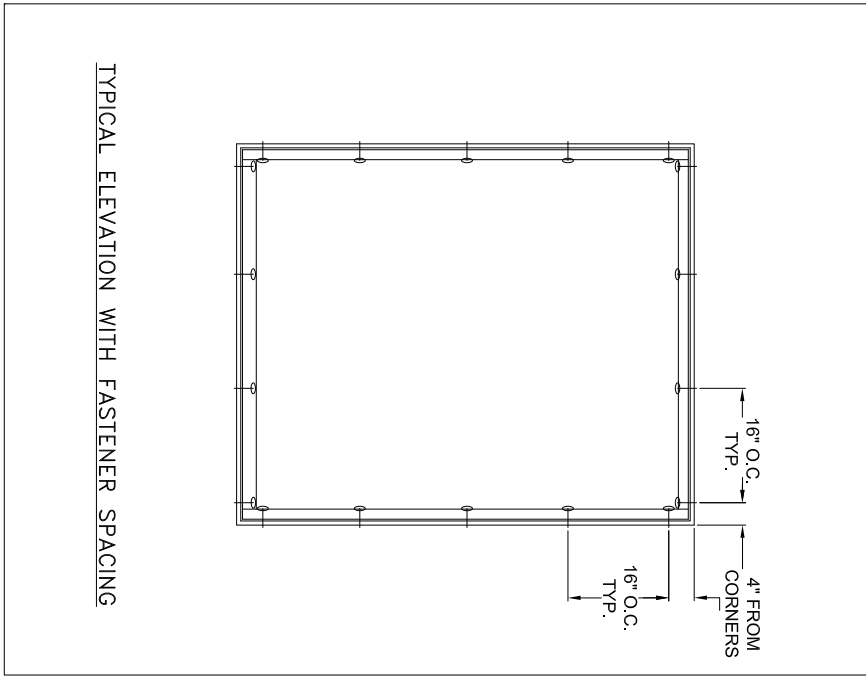
DATE: 05/07/2019		3737 LAKEPORT BLVD.
SCALE: NTS		KLAMATH FALLS OR, 97601
DRAWN BY: J.HAWKINS		PHONE: (800) 535-3936
CHECKED BY: K.CAMPBELL		
APPROVED BY: D.STOKES	TITLE: Custom Clad Direct Set Window - Impact	
RECORD No: D015293		
REPORT No: J4360.01-301-47 R1		
CAD DWG. No.: CUSICLSet Cert	REV: A	SHEET 2 of 3

"AS TESTED"

MASONRY STRAP
INSTALLATION



MAXIMUM FRAME	DP	IMPACT
60 x 72	+60/-65	YES
WINDZONE 3		



- Installation Notes:**
1. Seal flange/frame to substrate. Sill shall be set on a continuous serpentine bead of structural grade silicone caulk when no fastener is used to anchor the sill (typical).
 2. Use 2 - #8 PFH or larger fasteners through masonry/ strap with sufficient length to penetrate a minimum of 1 1/2" into the buck. For 2x wood frame substrate (min. S.G. = 0.42).
 3. Use 2 - #8 PFH or larger fasteners through masonry/ strap into jamb without penetrating through the jamb into product causing visibility or collateral damage to product.
 4. Host structure (wood buck, masonry, steel) to be designed and anchored to properly transfer all loads to the structure. The host structure is the responsibility of the architect or engineer of record for the project of installation.

- General Notes:**
1. The product shown herein is designed, tested and manufactured to comply with the wind load criteria of the adopted International Building Code (IBC), the International Residential Code (IRC), the Florida Building Code (FBC) and the industry requirement for the stated conditions.
 2. All glazing shall conform to ASTM E1300.
 3. At minimum, glazing is 4.8mm annealed - 13.3mm airspace - 4.8mm annealed - 2.3mm PVB interlayer by Kuraray - 4.8mm annealed insulating glass.
 4. Use structural or composite shims where required.

This schedule addresses only the fasteners required to anchor the unit to achieve the rated design pressure and impact performance (where applicable) up to the size limitations noted. It is not intended as a guide to the installation process and does not address the sealing consideration that may arise in different wall conditions. For the complete installation procedure, see the instructions packaged with the unit or go to www.jeld-wen.com.

DISCLAIMER:
This drawing and its contents are confidential and are not to be reproduced or copied in whole or in part or used or disclosed to others except as authorized by JELD-WEN Inc.

DATE: 05/07/2019	DRAWN BY: J.HAWKINS	CHECKED BY: K.CAMPBELL	APPROVED BY: D.STOKES	RECORD NO: D015293	REPORT NO: J4360.01-301-47 R1	CAD DWG. No.: CJSLCDset.Cad	REV: A	SHEET 3 of 3
SCALE: NTS	TITLE: Custom Clad Direct Set Window - Impact				3737 LAKEPORT BLVD. KLAMATH FALLS OR, 97601 PHONE: (800) 535-3936			

"AS TESTED"